

The new adaptor FW100 allows high quality, full duplex audio intercommunications between so-called partyline intercom systems and four wire intercom systems.

Partyline systems (or two wire systems) such as the axxent system are used mostly in the audio and light system rental business and four wire systems often in broadcast applications.

In many cases a connection between these principally different systems is required and axxent has now developed such an interface. In addition to intercommunications, the new interface FW100 allows visible call signals (tally) from and to the different systems. Connection to the partyline side is by two 3 pin xlr connectors, male and female for loop through – the same as with any call signal light or a belt pack.

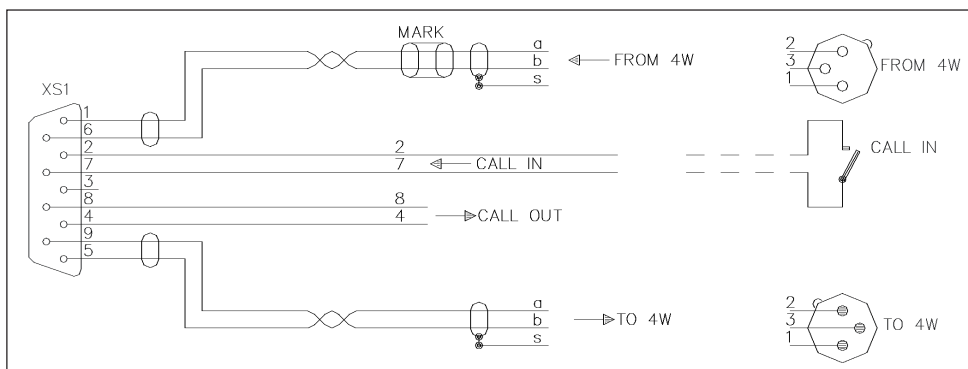
Connection to and from the four wire system is by a DB9 plug. Two wires to the system, and two wires from the system. In addition, two unshielded wires allow the signalization from the four wire side by a contact switch. Signalization from the partyline system is by two wires and a pulse signal of approximately 1.5 volt which can trigger a relay or a contact. Also, the call signal led light is on the front of the FW100. Possible echo caused by the interconnection of the system can be nulled by three potentiometers on the front side of the unit. Level control to and from the systems is by switches and potentiometers – also on the front side.

As usual with axxent products, the FW Four Wire Interface has been built solidly in a compact steel case for long lasting use. Necessary power for the FW100 electronics comes from the partyline intercom system.



Optional DB9 cable features no xlr connectors

An interesting application of the FW100 adaptor is the possible extraction of auxiliary audio signal out of a partyline system and or insertion of an auxiliary signal. A possible use is to drive an active speaker close to a stage or in an artist dressing room.



**technical data**

**model:** FW100

**dimensions (mm):**

103 (l) x 93 (w) x 47 (h)

**weight:** 454 grams

**cable (option):**

DB9 connecting cable

**voltage supply:**

via partyline system